

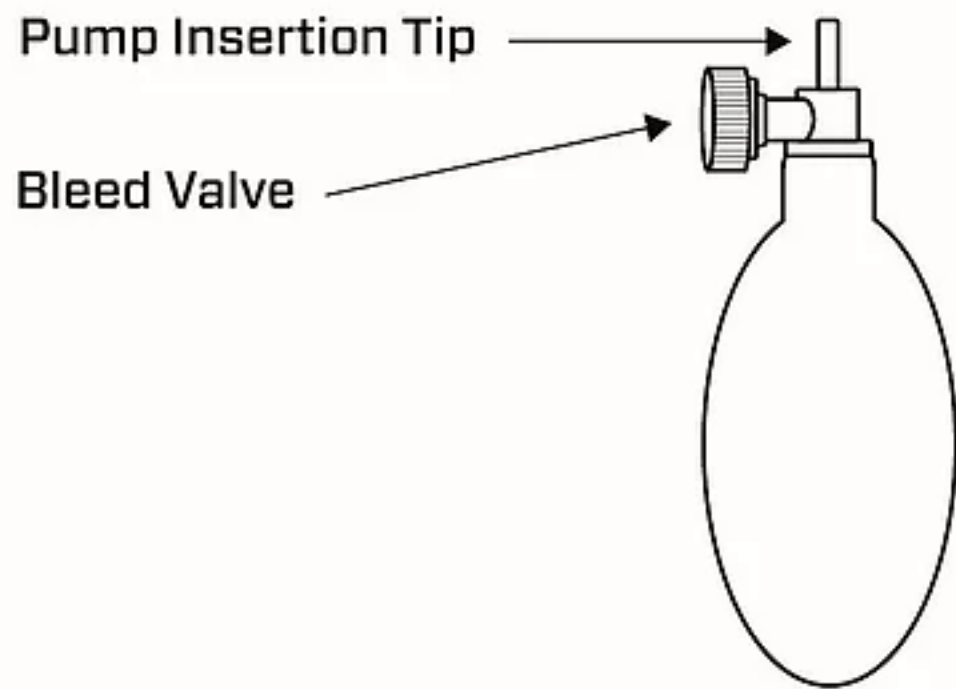
# AIRWRAP<sup>®</sup>

## 4" (10 cm) Compression Bandage with Inflatable Bladder

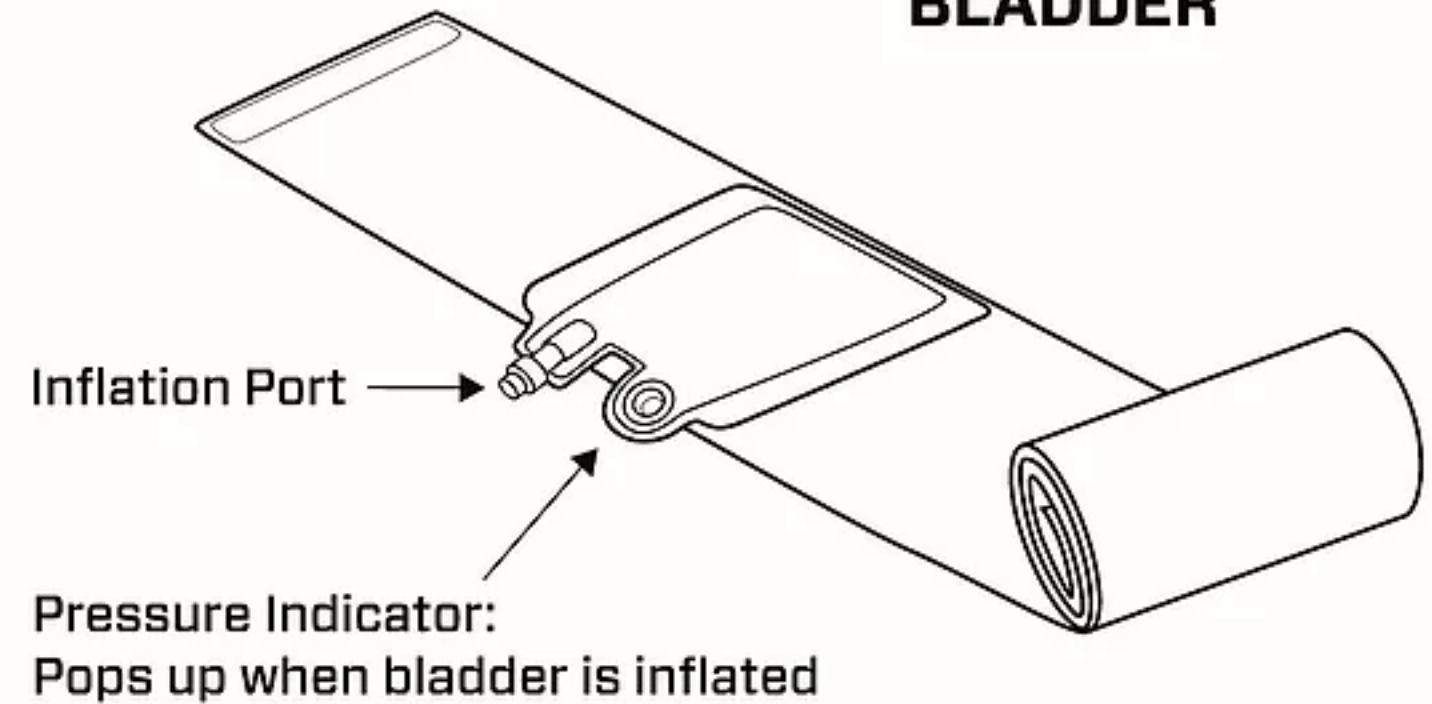
For temporary external use in combination with a primary wound dressing to control bleeding.

### COMPONENTS:

#### 50cc BULB PUMP WITH BLEED VALVE

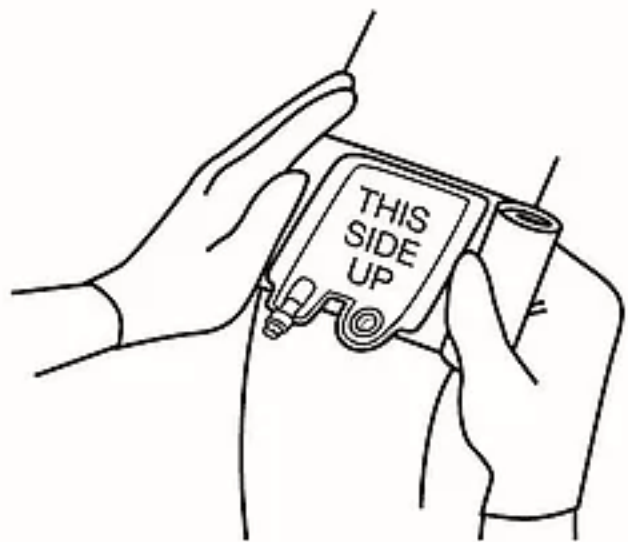


#### 4" ELASTIC WRAP WITH INFLATABLE BLADDER



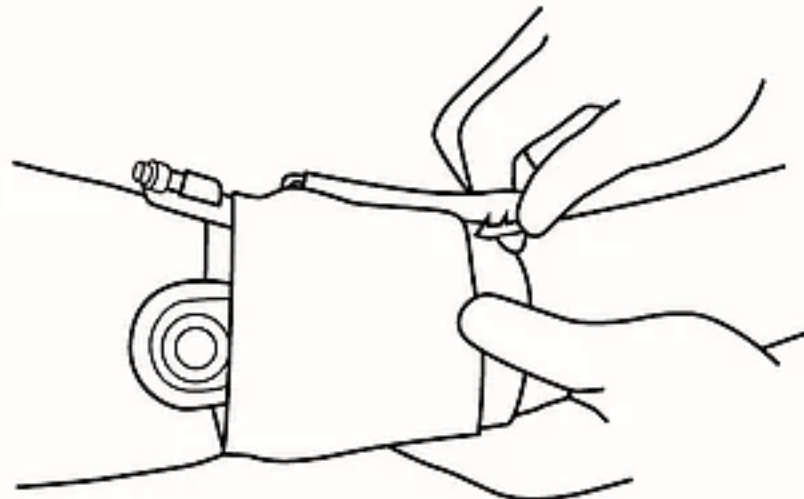
### INSTRUCTIONS FOR USE:

#### WRAP BANDAGE:



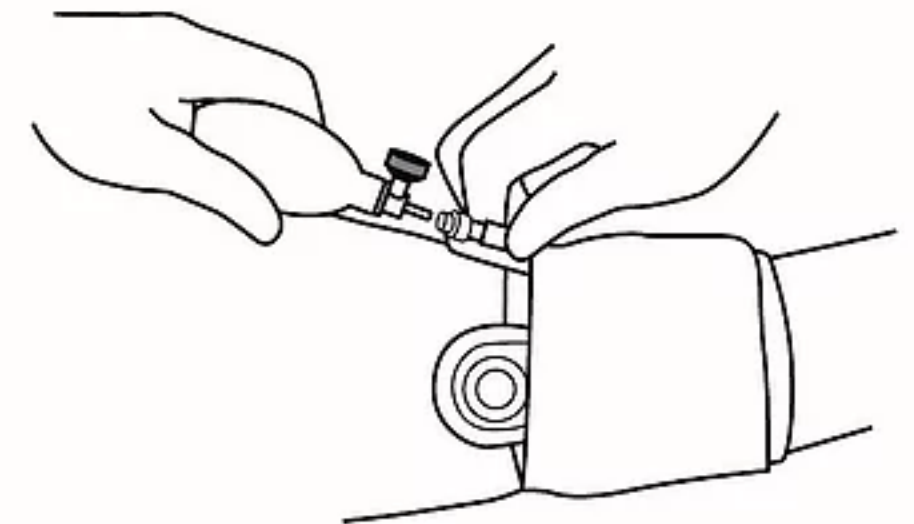
**1.** Place bladder face up on top of primary wound dressing and directly over the wound. Tightly wrap elastic bandage and secure with clip.

#### ATTACH PUMP:



**2.** Firmly press pump tip into inflation port. Excessive or prolonged application of pressure could result in tissue injury.

#### INFLATE BLADDER:



**3.** Inflate bladder to the desired volume or until pressure indicator pops up. The bandage should not be so tight that it cuts off distal blood circulation. Detach pump.

#### MONITOR PATIENT:

**4.** Continuously monitor wound for bleeding and adjust bandage and/or bladder pressure as necessary.

### CAUTION

Frequently monitor pulse and tissue on the limb distal to AirWrap placement to ensure adequate circulation is maintained. If the area below the bandage becomes cool, blue or numb, adjust bandage and/or bandage pressure as necessary to restore local and distal tissue circulation.

**WARNING:** Do NOT wrap circumferentially around the neck. For medical emergencies, seek professional help. Excessive or prolonged application of pressure could result in tissue injury.

EC REP FENTON PHARMACEUTICALS LTD, Fenton House, 4 Hampstead Gate  
1a Froggnal, London NW3 6AL, United Kingdom

**REVMED X™**  
RevMedx, Inc. 25999 SW Canyon Creek Road Suite C Wilsonville, OR 97070  
PH: 503.218.2172 www.RevMedx.com

NON STERILE  
FOR SINGLE USE ONLY

CE MADE IN U.S.A.

REF FIN-0005-01

Label Issuance Date: 2016-09-09 MKT-0003-01

NSN 6530-01-643-5299